

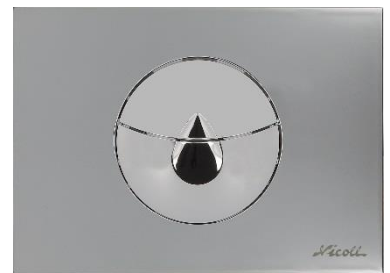
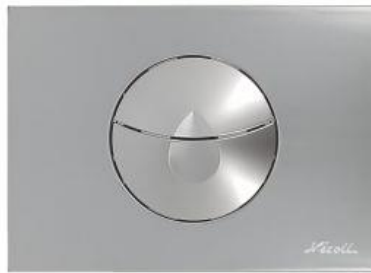


0709140 - 0709141 - 0709150

DROPLET BUTTONS PUSH PLATE

FUNCTION :

- Dual flush push plate for Nicoll concealed cistern
- Trigger with single cable mechanism



DESCRIPTION :

- Reference :
0709140



0709141

0709150



- Finish :
White

Satin paint

Shiny chrome

- Material :
ASA

ABS

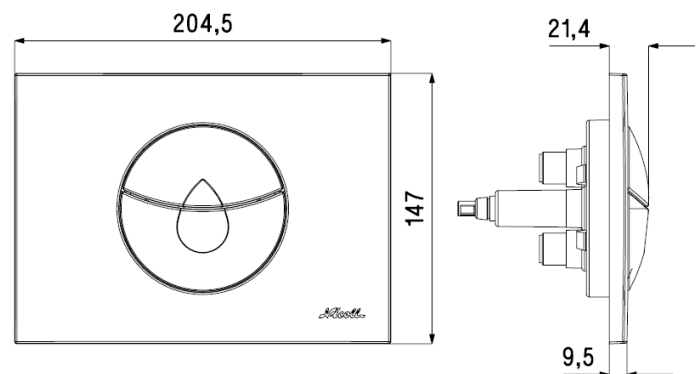
ABS

TECHNICAL CHARACTERISTICS :

- Length : 204,5 mm
- Width : 147 mm
- Opening to be made : 177 x 118 mm

The cut of wall must be as accurate as possible for the implementation

- Cladding overlap : 18 mm
- Plate holder and fixing screws included
- Activation force : < 20 N
- Wall thickness : 16 to 75 mm



MAINTENANCE :

- Cleaning : use a non-aggressive cleaner and a soft cloth

PACKAGING :

- Cardboard box

★ A push plate  must be installed on a support frame , so that the support frame + push plate assembly is .

APRIL 2024



Nicoll
by aliaxis

Head office and Plants : 37, rue Pierre & Marie Curie
BP 10966 – 49309 Cholet Cedex - FRANCE
Phone : +33 (0)2 41 63 73 25
Email : export.nicoll@aliaxis.com