

DIMENSIONS RACCORDS A COMPRESSION - MANCHON -

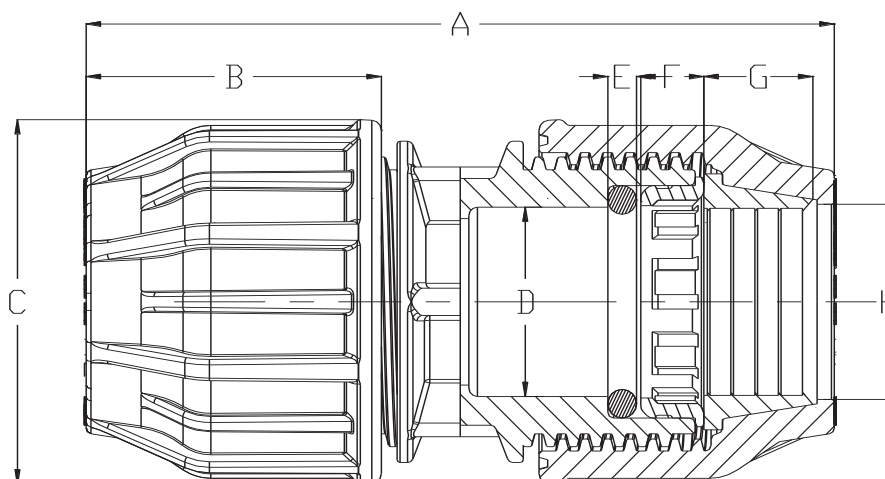


TESTES ET APPROUVES PAR
LES LABORATOIRES NATIONAUX
DU CEMAGREF
(BULLETIN D'ESSAI N°85).
CEMAGREF CERTIFICATION BA N°85



Référence

5270
page 1/1



SIZE (mm)	NOMINAL DIMENSIONS (mm)							
	A	B	C	D	E	F	G	H
16 x 16	89.00	35.00	39.25	17.50	3.00	11.75	12.25	17.50
20 x 20	104.00	39.50	46.00	22.00	3.50	7.50	12.50	22.20
25 x 25	109.00	41.25	52.50	26.50	4.00	9.75	12.75	26.75
32 x 32	132.00	51.75	63.75	33.50	5.00	11.75	19.25	34.00
40 x 40	146.00	60.75	78.25	41.50	6.00	12.75	23.50	41.50
50 x 50	174.40	68.50	92.50	51.50	6.50	13.25	30.75	51.50
63 x 63	208.00	82.75	109.00	64.50	7.00	22.50	38.75	64.50
75 x 75	250.00	107.50	132.50	77.25	8.00	23.25	39.75	76.00
90 x 90	293.40	131.25	151.50	91.50	8.00	30.75	56.75	94.00
110 x 110	382.00	166.50	175.50	112.50	9.00	35.75	57.50	112.50