



SPECIFICATIONS

Single control mixer tap with pull-down spout

Chrome

360° swivel spout

Anti limescale aerator M 18 x 1

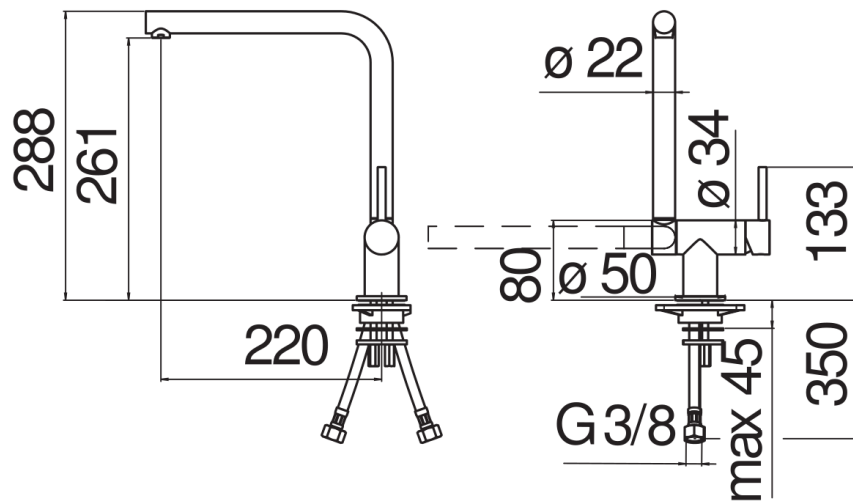
ø 3/8" stainless steel flexible pipe

50% two step cartridge for water saving

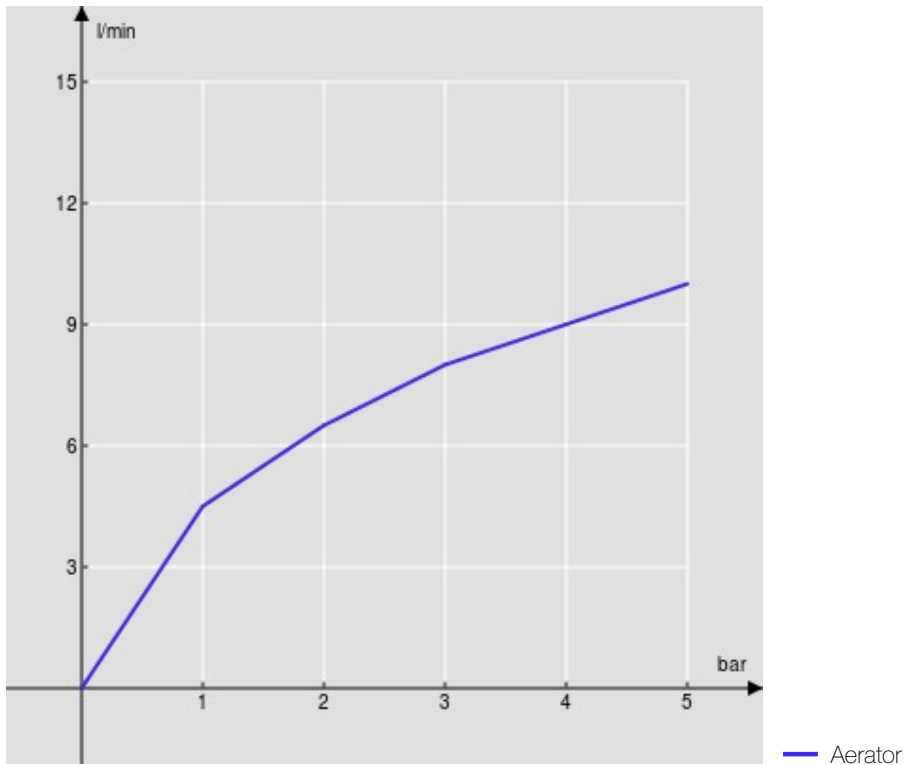
Packaging: 56,5 x 29 x 7,1 cm / 0,011633 m³ / 1,92 kg

CERTIFICATIONS





FLOW RATE DIAGRAM: HOT/COLD WATER



FLOW RATE DIAGRAM: MIXED WATER

