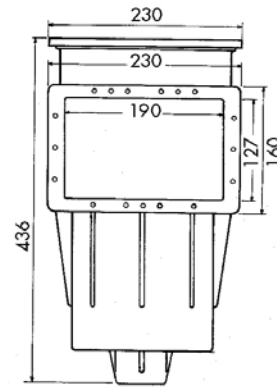
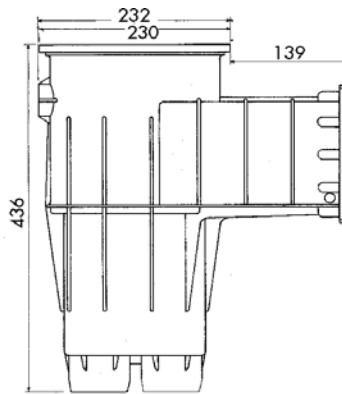
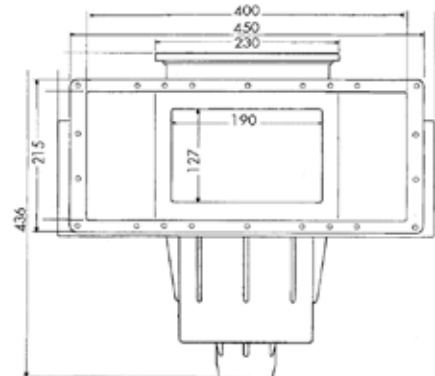
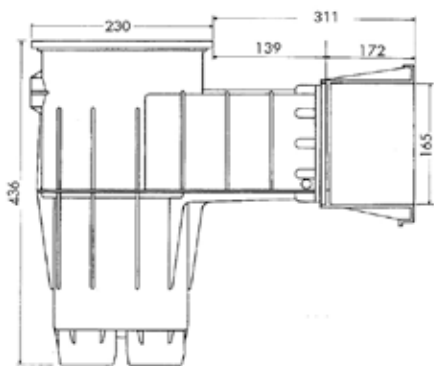


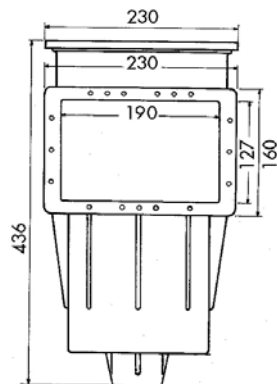
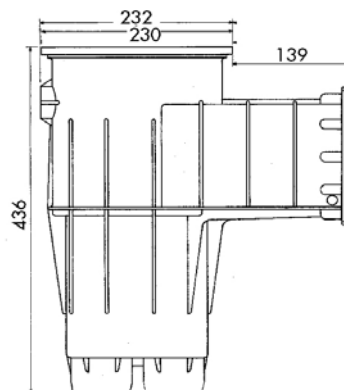
SKIMMER BETON GM SK11B



SKIMMER BETON PM SK11BP



SKIMMER LINER GM SK11L



SKIMMER LINER PM SK11LP